

Schneider Kreuznach

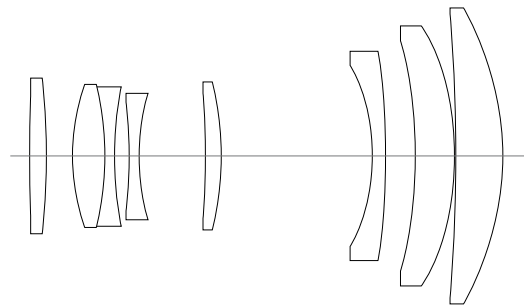
150mm LS f/2.8 IF



Specifications

Aperture range	f/2.8- f/22
Angle of view	16°
Focusing system	Auto Focus / Manual
Filter	105mm
Optical construction	8 elements 7 groups
Lens hood	Bayonet Metal Hood
Flash sync	Up to 1/1000
LS shutter speed max.	1/1000s
XF FPS shutter speed max.	1/4000s
Weight	1.658g 3.65lb
Equivalent to 35mm	93mm

Lens Elements



8 elements, 7 groups



Focus range

Min. focus distance	100cm / 3.28ft
Maximum magnification ratio	0.192x
Area covered (WxH)	280mm x 210mm 11" x 8.3"



Compatibility

Mount	XF 645 Bayonet
Supported systems	XF Camera System 645 DF/DF ⁺
2x Teleconverter	No